



Tap/Isolator/Filter Wavelength Division Multiplexer Hybrid (TIWDM Series)

The TIWDM series combines Filter WDM, Tap Coupler and isolator into a compact package. This device is ideal for fiber amplifier application to provide input signal power monitoring, pump/signal multiplexing and isolation functions at the same time. The device offers the advantages of cost saving, space saving, as well as performance improvement.



Specifications

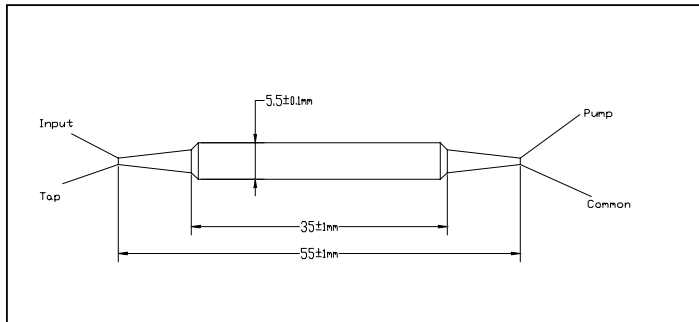
Parameters	Unit	Single Stage	Dual Stage
Passband	Signal Wavelength Range	1530-1580	
980 pump	Max.insertion Loss@I C T for 1%,2%,3% T for 4%,5% T for 10%	1.0 1.2 1.5	1.2 1.4 1.7
1480 pump	Max.insertion Loss@I C T for 1%,2%,3% T for 4%,5% T for 10%	1.0 1.1 1.3	1.2 1.3 1.5
	(1550±10 for One Stage, 1550±30 for Two)	35	40
	Max. PDL	0.1	0.2
	Max. PMD	0.25 ¹	0.05
Reflection Band	Wavelength Range	950-1010 1450-1490	
	980 pump		
	1480 pump		
	Typ.insertion Loss@C P	0.4	
	Max.insertion Loss@C P	0.6	
	Max. PDL	0.04	
980 and 1480 Tap Port	I T		
	Max.insertion Loss@I T for 10%	11.5	11.5
	Tap Ratio	1±0.2, 2±0.4, 3±0.6, 4±0.8, 5±1	
Min. Return Loss		50.0	
Max. Optical Power		300	
Max. Tensile Load		5	
Operating Temperature		-5 to +70	
Storage Temperature		-40 to +85	

¹ Low PMD version is available. PMD<0.05ps

*The above specification does not include connector loss.

*For devices with connectors, insertion loss will be 0.3dB higher, RL will be 5dB lower.

Package Dimensions



Ordering Information

TIWDM- - - - -

: Pump Type	: PMD	: Fiber type
98 - 980nm pump	1 - 0.05ps max.	B - 250 um bare fiber
48 - 1480nm pump	2 - Refer to above spec.	L - 900 um loose tube
: Stage Type	: Connector type	: Fiber length
1 - Single Stage	1 - FC/UPC	1 - 1.0 m
2 - Dual Stage	2 - ST/UPC	S - Specify
	3 - LC/UPC	
: Tap Ratio	4 - FC/APC	
1 - 1%+/-0.2	5 - SC/APC	
2 - 2%+/-0.4	6 - SC/UPC	
3 - 3%+/-0.6	S - Specify	
4 - 4%+/-0.8	N - none	
5 - 5%+/-1.0		
S-Specify		

* Corning SMF-28 is used for 1550nm and 1480nm interface and Corning Flexcor 1060 is used for Pump and Common channel