



# Polarization Insensitive Tap Isolator

## (TAPI Series)

The Polarization Insensitive Tap Isolator combines a tap coupler and polarization insensitive isolator into a single compact package. It has low PDL and very low insertion loss variation. The component is ideally suited for fiber amplifier and fiberoptic system where signal monitoring is required.



### Specifications

Parameters	Unit	Single Stage	Dual Stage
		Values	
Center Wavelength	nm	1310 or 1550	
Typ. Peak Isolation	dB	40	55
Min. Isolation at 23 ; $\lambda \pm 15\text{nm}$ , all polarization states	dB	30	45
Typ. Insertion Loss* at 23 ; $\lambda \pm 20\text{nm}$ , all polarization states	dB	0.45	0.6
Max. Insertion Loss* at -5 -70 ; $\lambda \pm 20\text{nm}$ , all polarization states	dB	0.6	0.8
Max.PDL (1 to 3 and 2 to 3)	dB	0.1	0.2
Max.PMD (1 to 3)	ps	0.25 <sup>1</sup>	0.1
Min Directivity (3 to 2)	dB	60	
Min. Return Loss (input/output)	dB	55	
Coupling Ratio & Tolerance**	%	1.0 $\pm$ 0.2	
Max. Optical Power	mW	300	
Max. Tensile Load	N	5	
Fiber Length		1	
Fiber Type	m	Corning SMF-28	
Operation Temperature		-5 to +70	
Storage Temperature		-40 to +85	

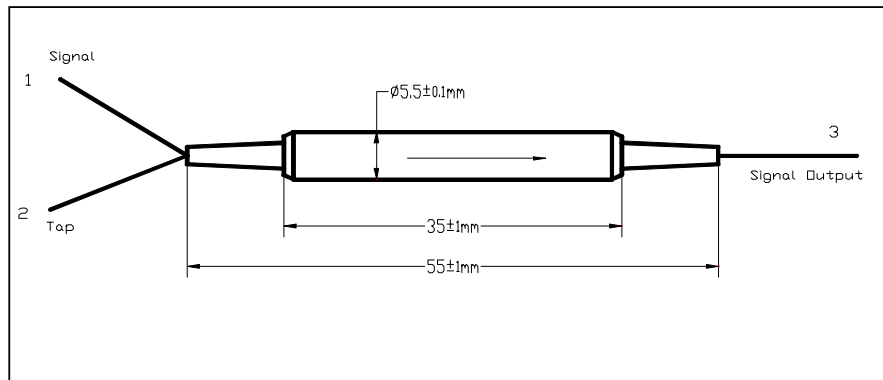
\*Spec are only for 1% tap ratio. \*\*Customized coupling ratio is available.

<sup>1</sup> Low PMD version is available. PMD<0.05ps

\*Above specification are for device without connector

\*For devices with connectors, insertion loss will be 0.3dB higher, RL will be 5dB lower.

### Package Dimensions



### Ordering Information

TAPI- - - - -

:Stage 1-Single stage 2-Dual stage	: PMD 1 - 0.05ps max. 2 - Refer to above spec.	: Fiber Type B - 250 um bare fiber L - 900 um loose tube
: Wavelength 31 - 1310nm 48 - 1480nm 55 - 1550nm SS - Specify	: Connector Type 1 - FC/UPC 2 - ST/UPC 3 - LC/UPC 4 - FC/APC 5 - SC/APC 6 - SC/UPC N - None S - Specify	: Fiber Length 1 - 1.0 m S - Specify
:Coupling Ratio 01 - 1/99 SS - Specify		