



Polarization Maintaining Filter Coupler

(PMFC Series)

PMFC Series is manufactured using advanced technology to allow the input signal to split into various ratio with high extinction ratio.



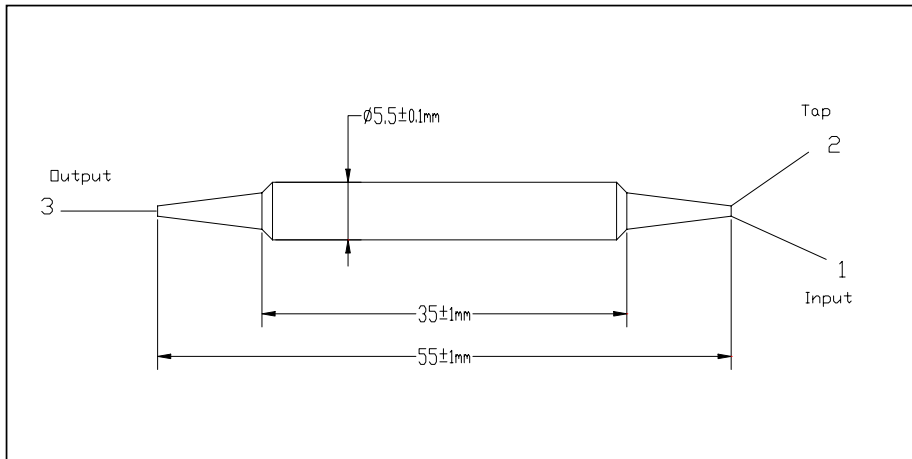
Specifications

Parameters	Unit	Values
Center Wavelength	nm	1550
Type		1x2
Excess Loss Max.	dB	1.0
Max Uniformity	dB	0.8
Tap Ratio	%	1±0.2%, 2±0.4%, 4±0.8%, 5±1.0%, 10%, 20% and 50%
Min. Return Loss	dB	50
Min. Extinction Ratio	dB	20
Max. Optical Power	mW	300
Max. Tensile Load	N	5
Operating Temperature		-5 to +70
Storage Temperature		-40 to +85
Fiber type		PM Panda Fiber or SMF-28 for Tap Port PM Panda Fiber for Input & Output Port

The above specification is for devices without connector.

*For devices with connectors, insertion loss will be 0.3dB higher, RL will be 5dB lower, and ER will be 2dB lower

Package Dimensions



Ordering Information

PMFC- - - - -

Wavelength	Tap Ratio	Fiber Type
55 - 1550nm	01 - 1/99	B - 250 um panda fiber
SS - Specify	02 - 2/98	D - 400 um panda fiber
	04 - 4/96	L - 900 um loose tube panda fiber
Type	05 - 5/95	S - Specify
1 - 1x2	10 - 10/90	
	20 - 20/80	Fiber Type on Tap port
	50 - 50/50	M - SMF-28 (For 1x2 only, AFR standard product)
	SS - Specify	P - Panda Fiber
		S - Specify
	Connector Type	
	1 - FC/UPC	Fiber Length
	2 - FC/APC	Q - 0.75 m
	3 - SC/APC	S - specify
	4 - SC/UPC	
	N - none	
	S - specify	

Remark: The PM fiber and the connector key are aligned to the slow axis