



PM Collimator (PMC Series)

The PM Fiber Collimator is the basic element for in-line PM fiber optics components, such as PM isolator and PM DWDM. It has high extinction ratio, low insertion and high return loss. The unique processing and high quality AR coating also enable this collimator to handle high power.



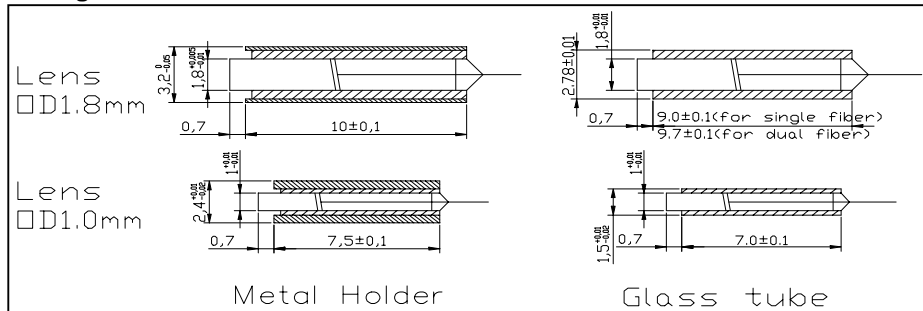
Specifications

Parameters	Unit	Values
Center wavelength	nm	1550 or Specify
Working distance	mm	5 or Specify
Typical insertion loss @ 5mm	dB	0.20
Maximum insertion loss @ 5mm	dB	0.25
Typical Extinction ratio	dB	25
Minimum Extinction ratio	dB	22
Minimum Return loss	dB	60
Bandwidth	nm	60
Tensile Load	N	5
Fiber Type		Panda PM Fiber or Specify
Operating temperature		-5 to +70
Storage temperature		-40 to +85

Above specification is for device without connector. PM fiber & connector key are align with slow axis.

*For devices with connectors, insertion loss will be 0.3dB higher, RL will be 5dB lower, and ER will be 2dB lower.

Package Dimensions



Ordering Information

PMC-

- 1 : Lens Diameter
 - 1 - 1.8mm
 - 2 - 1.0mm(for single fiber only)
 - S - specify
- 2 : Pigtail type
 - 1 - Single fiber pigtail
 - 2 - Dual fiber pigtail (for 1.8mm only)
 - S - specify
- 3 : Center Wavelength
 - 2 - 1550 nm
 - S - specify
- 4 : Package type
 - 1 - Metal Holder
 - 2 - Glass Tube
- 5 : Working Distance
 - 1 - 5 mm
 - S - specify
- 6 : Connector type
 - 1 - FC/UPC
 - 2 - FC/APC
 - 3 - SC/UPC
 - 4 - SC/APC
 - 5 - LC/UPC
 - N - none
 - S - specify
- 7 : Fiber length
 - C - 1.5 m
 - S - specify
- 8 : Lens type
 - G - Grin lens
 - C - C lens
- 9 : Fiber type
 - B - 250 um panda fiber
 - D - 400 um panda fiber
 - L - 900 um loose tube panda fiber
 - S - Specify
- 10 : Slow axis orientation
 - O - for single fiber collimator
 - I, H, T - for Dual fiber collimator(refer to figure)
 - S - specify

Figure for Slow axis orientation

