



Isolator/Filter Wavelength Division Multiplexer Hybrid 980/1550nm (IWDM Series)

The 980/1550 IWDM series combines Filter WDM and isolator into a compact package to offer cost saving solution. This device is ideal for fiber amplifier application to combine signal and pump wavelengths with very stable 1550nm signal isolation. It is designed and manufactured to Telcordia standard and is capable of high power handling.



Specifications

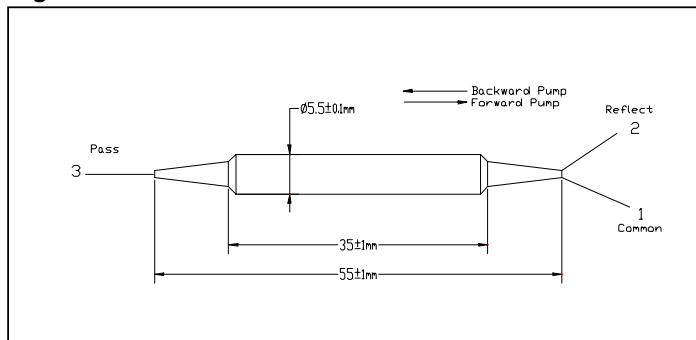
Parameters		Unit	Single Stage	Dual Stage
Passband	Signal Wavelength Range	nm	1530-1580	
	Typ. insertion Loss	dB	0.7	0.8
	Max. insertion Loss	dB	0.8	1.0
	Typ. Peak Isolation of Signal Channel	dB	40	55
	Min. Channel Isolation at room temp (1550±10 for One Stage, 1550±30 for Two Stage)	dB	30	45
	Max. PDL	dB	0.1	0.2
	Max. PMD	ps	0.25 ¹	0.05
Reflection Band	Wavelength Range	nm	950-1010	
	Typ. insertion Loss@C R	dB	0.4	
	Max. insertion Loss@C R	dB	0.6	
	Max. PDL	dB	0.1	
Min. Return Loss		dB	50	
Thermal Stability		dB/	≤0.005	
Max. Optical Power		mW	300	
Max. Tensile Load		N	5	
Operating Temperature			-5 to +70	
Storage Temperature			-40 to +85	

¹ Low PMD version is available. PMD<0.05ps

*Above specification are for device without connector

*For devices with connectors, insertion loss will be 0.3dB higher, RL will be 5dB lower.

Package Dimensions



Ordering Information

IWDM-98- - - - -

- : Pump Type
 - 1 - Forward Pump
 - 2 - Backward Pump
- : Connector Type
 - 1 - FC/UPC
 - 2 - ST/UPC
 - 3 - LC/UPC
 - 4 - FC/APC
 - 5 - SC/APC
 - 6 - SC/UPC
 - S - Specify
 - N - None
- : Fiber Type
 - B - 250 um bare fiber
 - L - 900 um loose tube
- : Stage Type
 - 1 - Single Stage
 - 2 - Dual Stage
- : Fiber Length
 - 1 - 1.0 m
 - S - Specify
- : PMD
 - 1 - 0.05ps max.
 - 2 - Refer to above spec.

* Corning SMF-28 is used for pass port and Corning Flexcor 1060 is used for Reflect and Common port.