



FORA Fiber Optic Rotary Adapter



www.princetel.com

Princetel, Inc.
4 Princess Rd Ste 209
Lawrenceville, NJ 08648
609.895.9890
fax 609.895.9552
info@princetel.com



FORA Fiber Optic Rotary Adapter

Description

Fiber optic rotary adapters (FORAs) are similar to standard fiber optic adapters, sometimes also called bulkheads or mating sleeves, except they allow the fiber to rotate freely while maintaining uninterrupted transmission of optical signal. Princetel's FORA are different from a traditional FORJ with receptacle package style since FORAs have the identical cross sections and mounting features as their standard adapter counterparts. Therefore, FORAs are designed to be pop-in replacement for standard adapters.

Princetel's design team borrowed the proprietary technology used in the MicroJx serie FORJ to created the miniature rotary adapters. They are surprisingly small even compared to the smallest FORJ with the receptacle packaging style. Our FORA features extremely low insertion loss and unmatched return loss performance. Like the MicroJx serie FORJ Princetel's FORA provides uniform spectral transimission over 1000 nm range. Future models will allow users to replace standard ST and SMA adapters.

Specification

Wavelength range	635-1650 (broadband!)
Insertion loss	<2 dB (typical: <1 dB)
Insertion loss variation	<0.5 dB (typical: 0.3 dB)
Return loss (SM)	>45 dB
Maximum speed	100 rpm
Seal	Water and dust tight
Maximum load	10 N for 900 um buffer fiber
Optical power handling	23 dBm
Working temperature	0 to 65 C
Storage temperature	-40 to 85 C

www.princetel.com

Princetel, Inc.
4 Princess Rd Ste 209
Lawrenceville, NJ 08648
609.895.9890
fax 609.895.9552
info@princetel.com

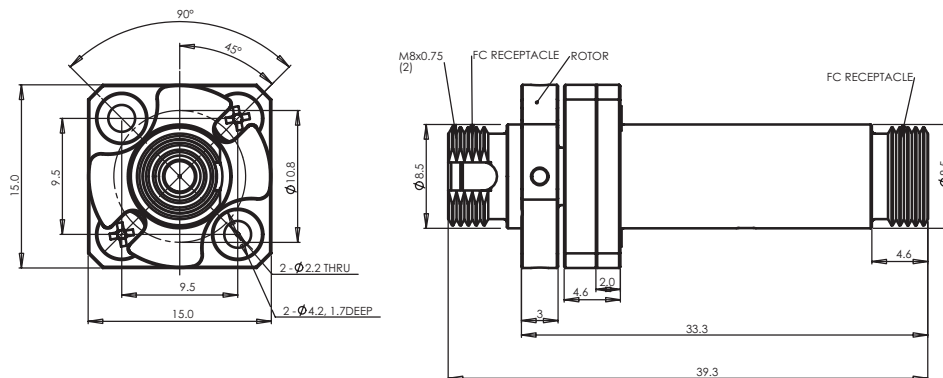


FORA Fiber Optic Rotary Adapter

Physical Properties

Package type	Receptacle
Housing Material	Stainless steel
Fiber types	Singlemode or multimode (See fiber code)
Connector types	FC/PC (ST, SMA, and FC/APC in the future)
Dimension characters	Flange identical to FC bulkhead
Weight	19 g
Seal	Water and dust tight

Mechanical



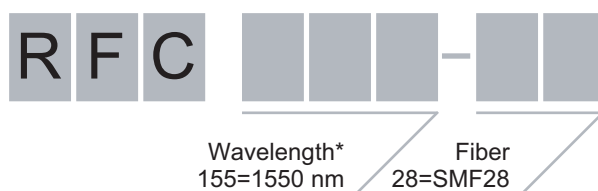
www.princetel.com

Princetel, Inc.
4 Princess Rd Ste 209
Lawrenceville, NJ 08648
609.895.9890
fax 609.895.9552
info@princetel.com



FORA Fiber Optic Rotary Adapter

Part Number



* For testing purpose only

Wavelength and Fiber Code

Wavelength	Fiber
165=1625 nm	28=CorningSMF28 (1290=1650 nm)
162=1625 nm	13=Fujikura SM13 PANDA fiber
159=1590 nm	15=Fujikura SM15 PANDA fiber
155=1550 nm	56=3M FS-SN5624 (980 nm)
153=1530 nm	42=3M FS-SN4224 (850 nm)
148=1480 nm	32=3M FS-SN3224 (635 nm)
131=1310 nm	50=50/125 multimode
980=980 nm	62=62.5/125 multimode
850=950 nm	10=100/125 multimode
780=780 nm	20=200/240 multimode
670=670 nm	40=400/425 multimode
650=650 nm	60=600/630 multimode
635=635 nm	01=1000 um Mitsubishi plastic

www.princetel.com

Princetel, Inc.
4 Princess Rd Ste 209
Lawrenceville, NJ 08648
609.895.9890
fax 609.895.9552
info@princetel.com