

The logo for Princetel, featuring the word "Princetel" in a white, italicized, sans-serif font on a blue square background.

Configurable Collimator Cradle



www.princetel.com

Princetel, Inc.
4 Princess Rd Ste 209
Lawrenceville, NJ 08648
609.895.9890
fax 609.895.9552
info@princetel.com



Configurable Collimator Cradle

Some time also called fiber optic bench, U bench, or U bracket when one side is open, fiber optic collimator cradle offers a very convenient platform for those who just wanted to try out new ideas. Occasionally, people even build finished fiber optic components using the flexible structure.

The cradle is a much more stable mechanical framework to ensure a long-lasting superb performance. Princetel's unique cradle design allows a factory configurable structure to fit a wide variety of applications.

Both the pigtail and the FC receptacle cradles permits a maximum of four channels, one along the short side and three along the long side. Customer has the freedom to specify any random number of ports up to eight.

The two M3 threaded holes make it easy to enclose the unit if so desirable. Two through holes are designed for convenient mounting of the unit on a board. Princetel welcomes proposals on custom fiber optic components using our cradle products.

Specifications (singlemode)

Model	Pigtailed	Receptacle
Wavelength	1290-1590 nm	1290-1590 nm
Beam size	0.45 mm	0.45 mm
Insertion loss	<0.5 dB	<1.0 dB
Return loss	>50 dB	>45 dB*
Polarization dependent loss	<0.1 dB	<0.1 dB
Polarization mode dispersion	<1 ps	<1 ps
Operating temperature	0 to 65 C	0 to 65 C
Storage temperature	-40 to 85 C	-40 to 85 C

* For limited number of usage only due to fiber surface damage and contamination

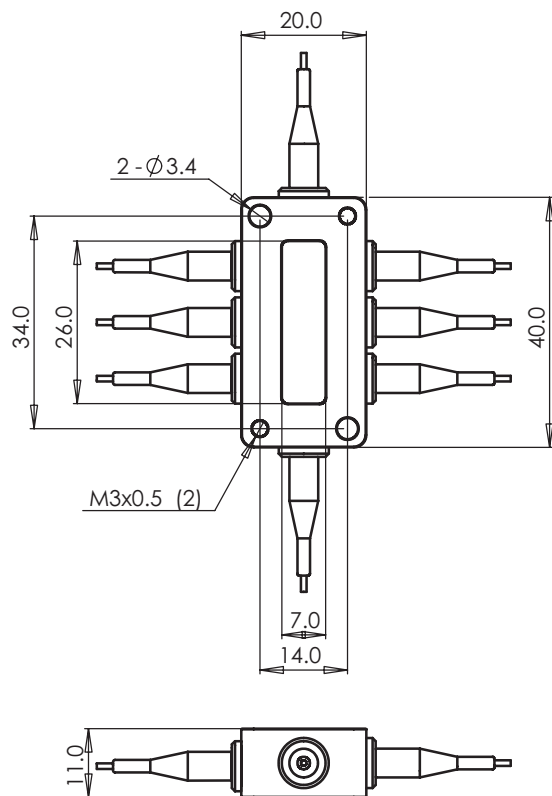
www.princetel.com

Princetel, Inc.
4 Princess Rd Ste 209
Lawrenceville, NJ 08648
609.895.9890
fax 609.895.9552
info@princetel.com

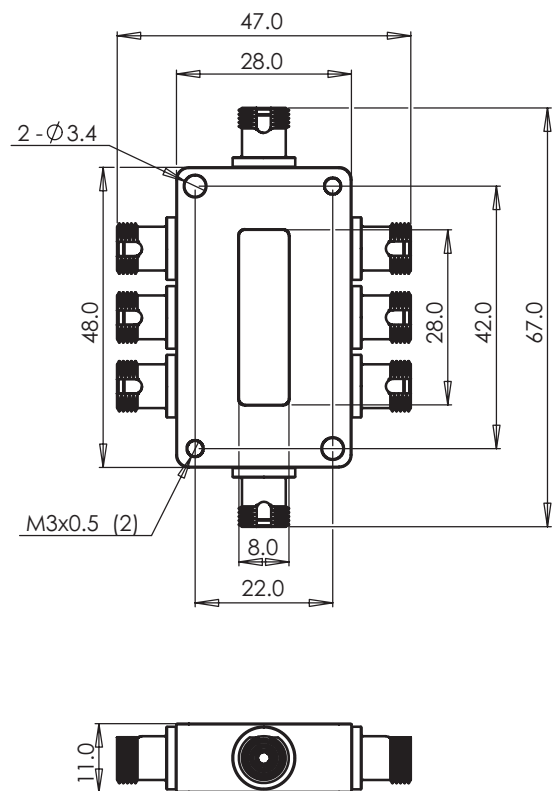


Configurable Collimator Cradle

Model CCP



Model CCR



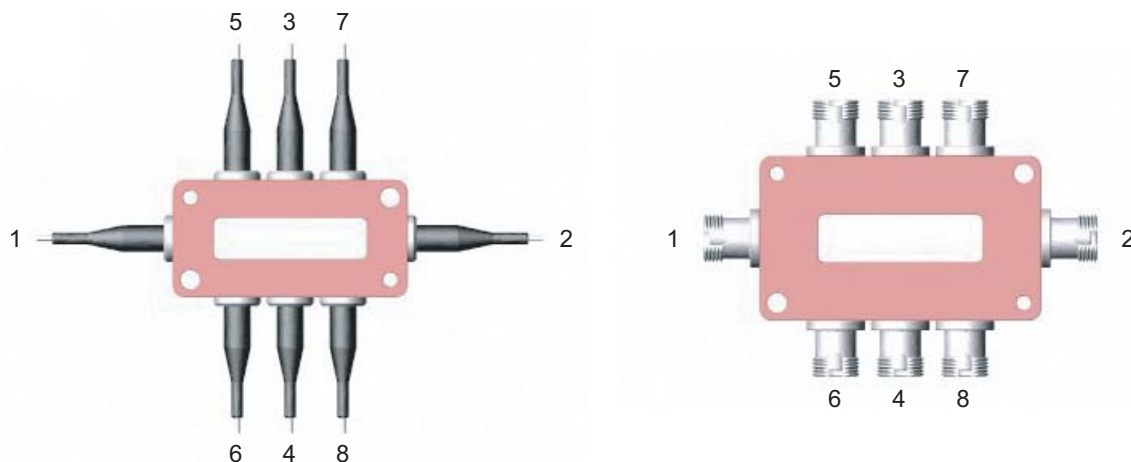
Unit: mm

www.princetel.com

Princetel, Inc.
4 Princess Rd Ste 209
Lawrenceville, NJ 08648
609.895.9890
fax 609.895.9552
info@princetel.com



Configurable Collimator Cradle



P=pigtailed
R=receptacle

Wavelength
155=1550 nm

Fiber
28=SMF28

FC=FC
FA=FCAPC

Port selection
1-8 any combination
Default: 12

Wavelength	Fiber
165=1625 nm	28=Corning SMF28 (1290=1650 nm)
162=1625 nm	13=Fujikura SM13 PANDA fiber
159=1590 nm	15=Fujikura SM15 PANDA fiber
155=1550 nm	56=3M FS-SN5624 (980 nm)
153=1530 nm	42=3M FS-SN4224 (850 nm)
148=1480 nm	32=3M FS-SN3224 (635 nm)
131=1310 nm	50=50/125 multimode
980=980 nm	62=62.5/125 multimode
850=850 nm	10=100/140 multimode
780=780 nm	20=200/240 multimode
670=670 nm	40=400/425 multimode
650=650 nm	60=600/630 multimode
635=635 nm	01=1000 um Mitsubishi plastic

www.princetel.com

Princetel, Inc.
 4 Princess Rd Ste 209
 Lawrenceville, NJ 08648
 609.895.9890
 fax 609.895.9552
 info@princetel.com