



Collimator (C Series)

The fiber Collimator is the basic element for in-line fiber optics components, such as isolator and DWDM. It has low insertion and high return loss. The unique processing and high quality AR coating also enable this collimator to handle high power.

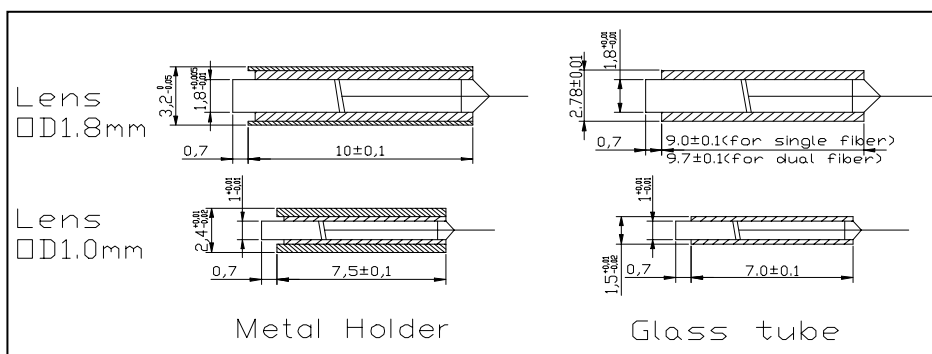


Specifications

Parameters	Unit	Values
Center wavelength	nm	1310, 1550 or Specify
Working distance	mm	5 or specify
Typical insertion loss@5mrr	dB	0.20
Maximum insertion loss@5mrr	dB	0.25
Minimum Return loss	dB	60
Maximum PDL	dB	0.02
Bandwidth	nm	60
Tensile Load	N	5
Fiber Type		Corning SMF-28
Operating temperature		-5 to +70
Storage temperature		-40 to +85

*For devices with connectors, insertion loss will be 0.3dB higher, RL will be 5dB lower.

Package Dimensions



Ordering Information

C- - - - - -

- | | |
|--|---|
| <ul style="list-style-type: none"> 1 - Lens Diameter 1 - 1.8mm 2 - 1.0mm(for single fiber only) S - specify | <ul style="list-style-type: none"> 1 - Connector type 1 - FC/UPC 2 - ST/UPC 3 - LC/UPC 4 - FC/APC 5 - SC/APC 6 - SC/UPC N - none S - specify |
| <ul style="list-style-type: none"> 1 - Pigtail type 1 - Single fiber pigtail 2 - Dual fiber pigtail (for 1.8mm only) S - specify | |
| <ul style="list-style-type: none"> 1 - Center Wavelength 1 - 1310 nm 2 - 1550 nm 3 - 1310/1550 nm S - specify | <ul style="list-style-type: none"> 1 - Fiber type B - 250 um bare fiber L - 900 um loose tube T - 900 um tight buffer fiber (Only for single fiber) S - specify |
| <ul style="list-style-type: none"> 1 - Package Dimensions 1 - Metal Holder 2 - Glass Tube | <ul style="list-style-type: none"> 1 - Fiber length C - 1.75 m S - specify |
| <ul style="list-style-type: none"> 1 - Working Distance 1 - 5 mm S - specify | <ul style="list-style-type: none"> 1 - Lens type G - Grin lens C - C lens |