



## 1060nm Polarization Insensitive Single Stage Isolator (PSSI series)

The Polarization Insensitive Single Stage 1060 nm Isolator features a compact package, low insertion loss, high isolation, high return loss and excellent environmental stability and reliability. It is ideal for suppressing back reflection in fiber lasers and other high performance laser based fiberoptic systems.



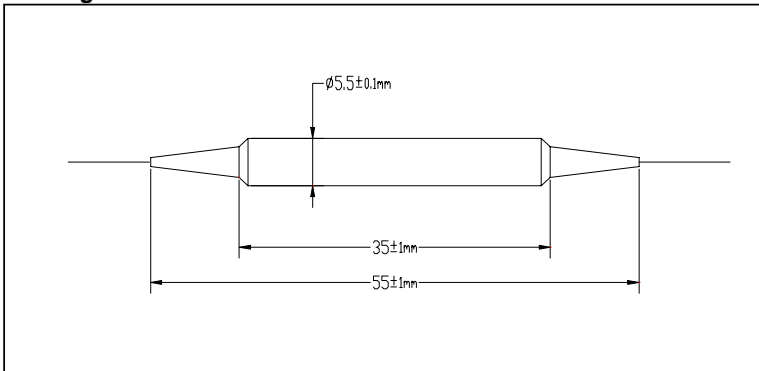
### Specifications

Parameters	Unit	Single stage		Dual stage
		Grade P	Grade A	Grade P
Center Wavelength ( $\lambda_c$ )	nm		1060	
Typ. Peak Isolation	dB	40	38	55
Min. Isolation at 23 °C, all polarization states	dB	30	28	45
Typ. Insertion Loss at 23 °C, all polarization states	dB	1.5	1.6	2.4
Max. Insertion Loss at -5 °C to +70 °C, all polarization states	dB	2.0	2.2	3.4
Min. Return Loss	dB	50	50	50
Max.PDL at 23 °C	dB	0.15	0.15	0.15
Max.PMD	ps	0.20	0.25	0.05
Max. Optical Power	mW		300	
Max. Tensile Load	N		5	
Fiber Type		Corning Flexcor 1060		
Operation Temperature		-5 to +70		
Storage Temperature		-40 to +85		

\*Above specification are for device without connector.

\*For devices with connectors, insertion loss will be 0.3dB higher, RL will be 5dB lower.

### Package Dimensions



### Ordering Information

**PSSI-06-** - - -

**PDSI-06-** - - -

: Grade

P - Premium grade

A - A grade

: Connector Type

1 - FC/UPC

2 - ST/UPC

3 - LC/UPC

4 - FC/APC

5 - SC/APC

6 - SC/UPC

N - None

S - Specify

: Fiber Type

B - 250 um bare fiber

L - 900 um loose tube

C - 3mm loose cable

: Fiber Length

1 - 1.0m

S - Specify